



Figure shows configuration variant

HIGHLIGHTS

- Ergonomic design for comfortable operation
- Minimal footprint, perfect for retail
- Projected Capacitive Touch (PCT)
- Customizable components
- Full HD display (1920x1080)

polytouch[®] 32 warp

Display/PC-Box

OVERVIEW	Screen size	82 cm (32")
	Resolution	1920x1080 (Full HD)
	Brightness	500 cd/m ²
	Contrast	3000:1
	View angle	178° h/v
	Bonding	Optical Bonding
	Connector	HDMI, DVI, VGA
POWER	Power input	12V
	Power consumption	Typ 45W
TOUCH CONTROLLER	Touch technology	Projected Capacitive Touch (PCT)
	Simultaneous touches	10 Touches
	Coating	Glare/Anti-Glare
CHASSIS	Material	Stainless steel, powder coated
	Dimensions (WxDxH)	791 x 486 x 78 mm
	Weight	approx 35 Kg, (depending on configuration variant)
	Mounting	Pedestal
PC-BOX	Processor	Intel [®] Core [™] i3-i7
	Chipset	Q170
	Memory	up to 32 GB RAM
	Massstorage	up to 2 TB mSATA SSD
	Network	2x 1 GbE LAN
	LTA	Mainboard up to 2022

polytouch[®] 32 pedestal curve

OVERVIEW

Material	Steel, powder coated
Dimensions (HxWxD)	1730x780x500 mm (upper position)
Weight	approx. 90 kg
Mounting	Standalone
Version	Pedestal (Neutral)
Colour pedestal	RAL Colours
Colour edging	RAL 9005, RAL 9010, RGB LED
Display angle	20°

CERTIFICATIONS

CE, further certifications on request

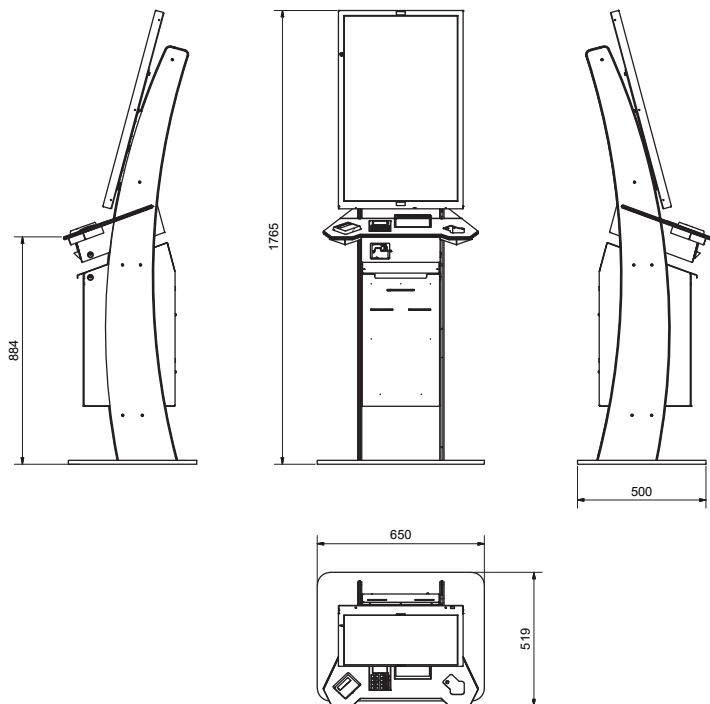


Figure shows configuration variant

polytouch[®] 32 warp

Optional Components

CASHBOX	Note recycler	Storage for 500 notes
	Coin recycler	1500 pcs. (1 €) coin storage (other currencies on request)
IMAGER	Different options	e.g. Epson TM-L90 (others on request)
SCANNER	2D Barcode scanner	e.g. Honeywell 560SR (others on request)
	Passport scanner	e.g. Desko Penta Cube
FURTER COMPONENTS	EFT device	e.g. Ingenico IPP480 (others on request)
	RFID / NFC	
	Camera	
	Microphone	
	Audio Nav Keypad	



Figure shows configuration variant

polytouch[®] 32 warp

Figure shows configuration variant

